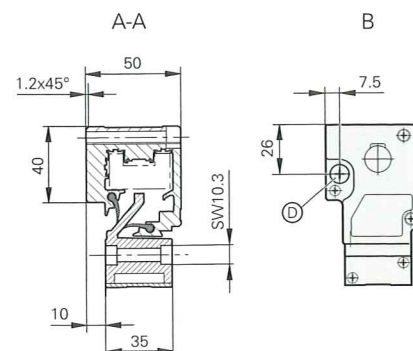
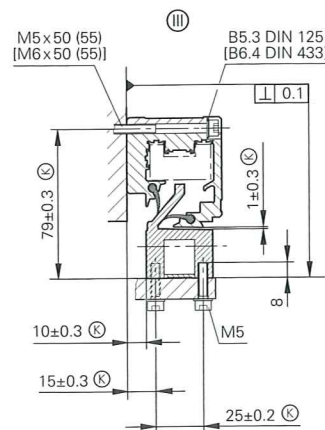
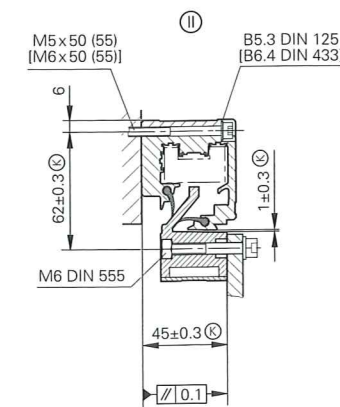
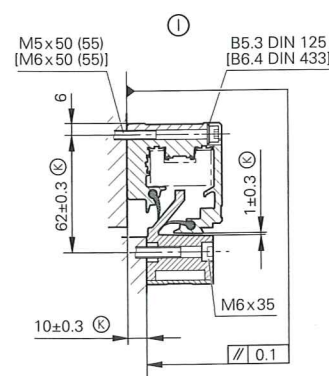
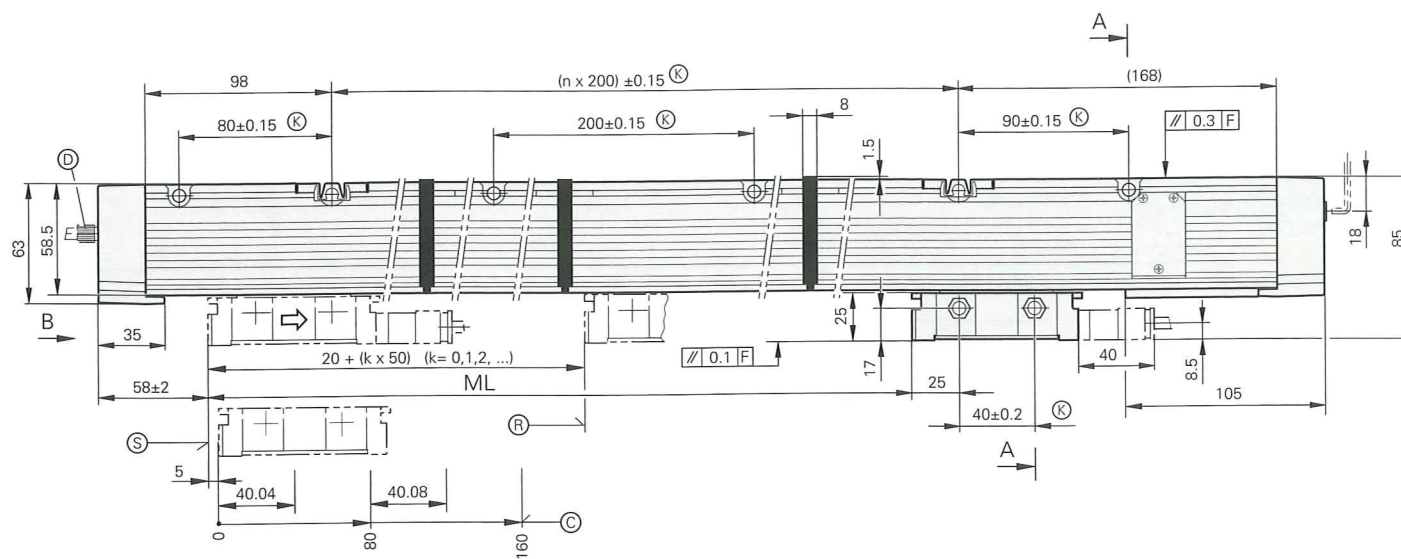
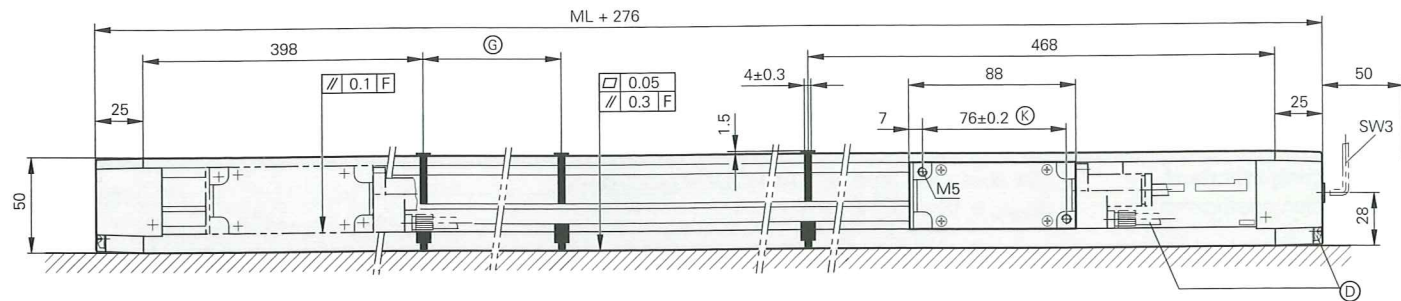


LB 382 up to 30040 mm Measuring Length (Multi-Section Housing)

- Incremental linear encoder for long measuring ranges up to 30 m
- Measuring steps to 0.1 μm
- Horizontal mounting possible
- Mirror-image version available



Dimensions in mm

Tolerancing ISO 8015
ISO 2768 - m H
< 6 mm: ±0.2 mm

- Ⓛ, Ⓜ, Ⓝ = Mounting options
- F = Machine guideway
- Ⓞ = Required mating dimensions
- Ⓟ = Compressed air inlet
- Ⓠ = Reference-mark position on LB 3x2
- Ⓡ = Reference-mark position on LB 3x2C
- Ⓢ = Beginning of measuring length (ML)
- Ⓣ = Housing section lengths
- ⇨ = Direction of scanning unit motion for output signals in accordance with interface description

Specifications	LB 382 from ML 3 240 mm
Measuring standard Expansion coefficient	Stainless steel tape with AURODUR graduation Same as machine main casting
Accuracy grade	± 5 μm
Measuring length ML*	Kit with single-section AURODUR steel tape and housing section lengths for measuring lengths from 3 240 mm to 30 040 mm in 200-mm steps. Housing section lengths: 1000 mm, 1200 mm, 1400 mm, 1600 mm, 1800 mm, 2000 mm
Reference marks* LB 382 LB 382C	Selectable with selector plates every 50 mm Distance-coded
Incremental signals	~ 1 V _{PP}
Grating period Signal period	40 μm 40 μm
Cutoff frequency -3dB	≥ 250 kHz
Traversing speed	≤ 120 m/min
Power supply without load	5 V ± 5 % / < 150 mA
Electrical connection	Separate adapter cable (1 m/3 m/6 m/9 m) connectable to mounting block
Cable length ¹⁾	≤ 150 m
Required moving force	≤ 15 N
Vibration 55 to 2 000 Hz Shock 11 ms Acceleration	≤ 300 m/s ² (IEC 60068-2-6) ≤ 300 m/s ² (IEC 60068-2-27) ≤ 60 m/s ² in measuring direction
Operating temperature	0 °C to 50 °C
Protection IEC 60529	IP 53 when mounted according to the mounting instructions IP 64 if compressed air is connected via DA 300
Weight	1.3 kg + 3.6 kg/m measuring length

* Please indicate when ordering
¹⁾ With HEIDENHAIN cable